

SENSIBLE EQUIPMENT COMPANY

**TRICOIL®**

*The Sensible Solution*

# DIRECT DRIVE HORIZONTAL & VERTICAL FAN COIL UNITS

NEW AND RETROFIT

TRICOIL® Air Handling Units have been in operation for over 30 years. The addition of Fan Coil Units is the latest in the TRICOIL list of applications.

TRICOIL® Fan Coil Units are used in any region where high humidity is a design issue. It has been successfully applied in humid climates such as the Bahamas, Puerto Rico, US Virgin Islands and Mexico.

From design/build to large project retrofit, TRICOIL® can be applied to almost every type and size covered when it comes to direct drive fan coil units. Manufactured by one of the few remaining manufacturers of these smaller, high demand units, we not only provide you with the broadest range of design options to suit your installation or exactly match a replacement, but we have your unit when you need it. Vertical and horizontal fan coils, ceiling, wall and room mounted units can be designed for just about any need or requirement. Special control systems and valve packages included.

Call Kenn Eiermann at  
(407) 579-1841

or email to [kle@tricoil.com](mailto:kle@tricoil.com)

SENSIBLE EQUIPMENT COMPANY  
1015 Webster Ave  
Orlando, Florida 32804



**MADE IN USA**

## UNIT TYPES

- Two or four-pipe, Hydronic cooling/heating and/or Electric Heat
- Galvanized steel for hidden units & painted cabinets for exposed units.
- Units are fully piped and wired for TRICOIL operation
- Direct Drive Horizontal 200 to 2000 CFM
- Direct Drive Vertical 150 to 2200 CFM

## ARRANGEMENTS

- Above the ceiling and exposed horizontal units.
- Above the ceiling horizontal units are available with telescoping ceiling mounted access panels for easy maintenance and filter replacement.
- Furred into wall and exposed vertical units.
- Stacked vertical units are available.
- Utility and hallway designs are available.

## HORIZONTAL FAN COIL UNITS

These affordable, compact units are perfect for installation in hotels, apartments, schools and other multi-office buildings as they take up minimal space, offering quiet operation and simplified maintenance.

Offered in a variety of designs including low silhouette styling, telescoping frames, exposed and concealed units with removable access panels. Highstatic models available.



## VERTICAL FAN COIL UNITS

High-static, high performance, ducted vertical cased units with a choice of either bottom or front return. These units are primarily used in vertical floor-mounted or hideaway applications. The unit is exposed in the room or furred into partition walls with exposed service panel or hidden in closets, utility rooms and other concealed locations with a ducted discharge.



Products and specifications are subject to change without notice

# TRICOIL®

The Sensible Solution

SENSIBLE EQUIPMENT COMPANY

# DIRECT DRIVE HORIZONTAL & VERTICAL FAN COIL UNITS

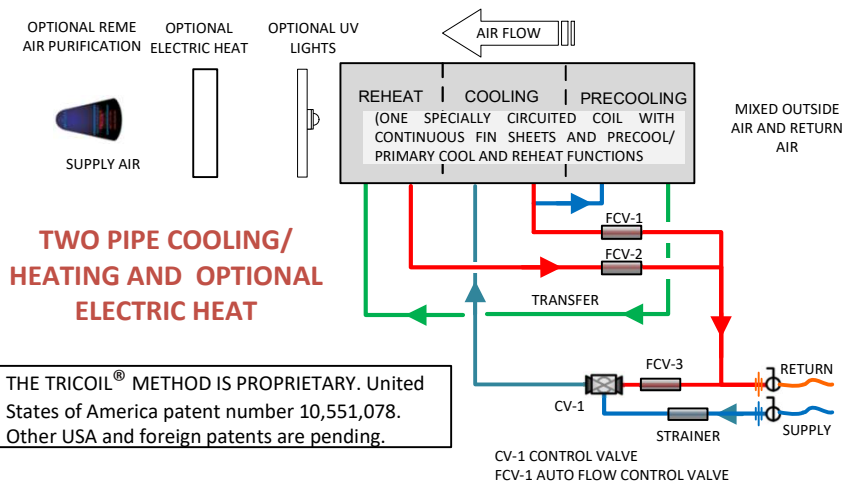
NEW AND RETROFIT

TRICOIL® Fan Coil Units feature the TRICOIL® wrap-around recuperative precool/reheat process which provides reheat for humidity control and a proportional precooling effect. In other words, the reheat is provided from heat in the chilled water return. So, the chilled water temperature is reduced by the heat added to the air stream by the reheat process. For this basic TRICOIL® method the recuperative reheat is always active. A control valve is optional that is used to cycle the reheat on and off for room relative humidity control.

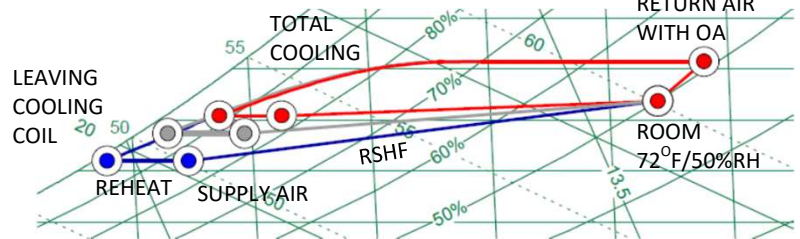
The units are completely factory piped and wired as necessary to accomplish the cooling and dehumidification requirements. When requested the units can also provide supplemental heat for precise humidity control or for winter time heating.

TRICOIL® arrangements available are:

- Two Pipe Cooling
- Two Pipe Cooling with Electric Heat
- Two Pipe Cooling and Heating
- Four Pipe Cooling and Heating



### PARTIAL PSYCHROMETRIC CHART



#### LEGEND

- High Fan Speed
- Medium Fan Speed
- Low Fan Speed

NOTE: AIR TEMPERATURE FOR THIS CHART ARE ILLUSTRATED IN THE PERFORMANCE TABLE BELOW

### FAN COIL UNIT SAMPLE PERFORMANCE

FAN SPEED	SUPPLY AIR CFM	COIL PERFORMANCE, MBH			ROOM COOLING, MBH		RSHF	ENTERING AIR TEMP DEGREE F		LEAVING AIR TEMP DEGREE F			WATER FLOW/TEMP DEGREE F		
		TOTAL	REHEAT	NET COOLING	SENSIBLE	LATENT		DB	WB	DB	WB	DP	GPM	EWT	LWT
HIGH	600	18.0	1.8	16.2	10.3	0.8	0.924	74	62	56.3	53.5	51.4	4.0	44.0	53.1
MED	450	15.5	1.7	13.8	8.5	1.4	0.859	74	62	54.7	52.2	50.3	4.0	44.0	51.8
LOW	300	12.1	1.8	10.3	6.4	1.7	0.790	74	62	52.3	50.1	48.4	4.0	44.0	50.1

#### NOTES

- Performance is based on a room temperature of 72 deg F, 50% RH and 50 CFM outside air
- The fan coil unit has an EC Motor which is typically controlled in three steps. True Variable AIR Volume control is available
- Note that simultaneous to the reduction in room sensible cooling delivered to the room there is an increase in the available room latent cooling. The room latent cooling actually increases as the supply air flow is reduced. Perfect for part load conditions.



MADE IN USA

Call Kenn Eiermann at  
(407) 579-1841  
or email to kle@tricoi.com

SENSIBLE EQUIPMENT COMPANY  
1015 Webster Ave  
Orlando, Florida 32804